

**Load capacity:** 15 kN test load EN 124 (see also pages 3 and 29).

**Material:** Frame and cover sections in extruded aluminium. Stainless steel screws.

**Features:** Odour and waterproof access cover in high-quality finish.

**Only 5 cm installation depth. Particularly suitable for situations where greater installation depths are not possible. The shallow trough results in a weight reduction when filled - so less effort is required to lift the cover. An unrestricted height of 14 mm is available for laying slabs, tiles or parquet flooring etc.**

Two chemical-resistant special seals. The cover is reinforced with a damped steel mesh reinforcement.

**The Lift-Off opening system:** Every HAGODECK Type BVA-SL slim Alu comes with a set of lifting keys and precise installation instructions.

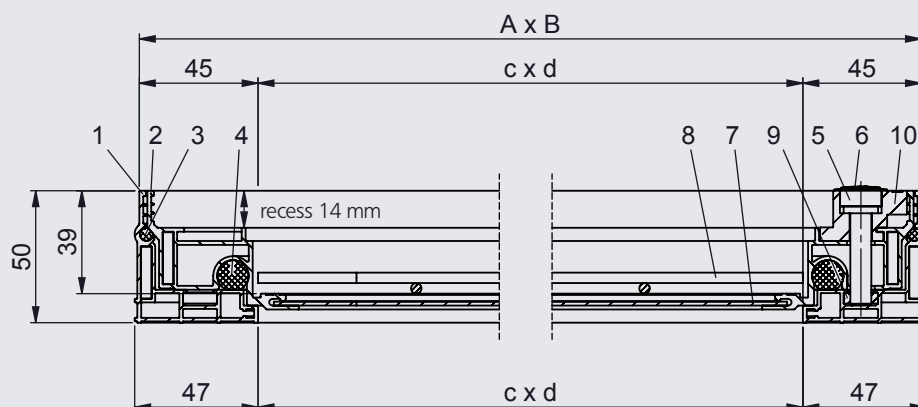
The **HAGO advantage:** Jammed covers are lifted by simply turning in the golden lifting key.

**Recommended applications:** For indoor access shafts, for which a pleasant appearance is required. Also, in places where floor finishes may require grinding or where particular attention must be paid to corrosion resistance.

**Installation:** Installation must be carried out according to our instructions. With water-tight models, care must be taken to seal the outer frame into the surrounding flooring and to fill the cover with water-tight concrete.

Type	Clear dimen. of shaft (≈ cm)	Outside dimensions (≈ cm)	Weight empty approx.	S/O*
	c x d	A x B		
BVA-SL slim 22	20 x 20	29 x 29	2 kg	S
BVA-SL slim 33	30 x 30	39 x 39	3 kg	S
BVA-SL slim 44	40 x 40	49 x 49	4 kg	S
BVA-SL slim 45	45 x 45	54 x 54	5 kg	S
BVA-SL slim 55	50 x 50	59 x 59	6 kg	S
BVA-SL slim 64	60 x 40	69 x 49	6 kg	S
BVA-SL slim 66	60 x 60	69 x 69	7 kg	S
BVA-SL slim 635	63,5 x 63,5	72,5 x 72,5	8 kg	S
BVA-SL slim 77	70 x 70	79 x 79	9 kg	S
BVA-SL slim 86	80 x 60	89 x 69	9 kg	S
BVA-SL slim 88	80 x 80	89 x 89	10 kg	S
BVA-SL slim 106	100 x 60	109 x 69	10 kg	S
BVA-SL slim 108	100 x 80	109 x 89	12 kg	S
BVA-SL slim 110	100 x 100	109 x 109	14 kg	S

Type BVA-SL slim Alu



Cover depth 39 mm / 14 mm (around the edge)

Installation height ≈ 5.0 cm

**Special sizes possible**

\*S = available from stock

\*O = to order

- |                                 |                           |
|---------------------------------|---------------------------|
| 1 Frame                         | 6 Plastic cap             |
| 2 Cover                         | 7 Cover plate (aluminium) |
| 3 Top seal                      | 8 Reinforcement           |
| 4 Bottom seal                   | 9 Nut (stainless steel)   |
| 5 Allen screw (stainless steel) | 10 Casting (aluminium)    |