

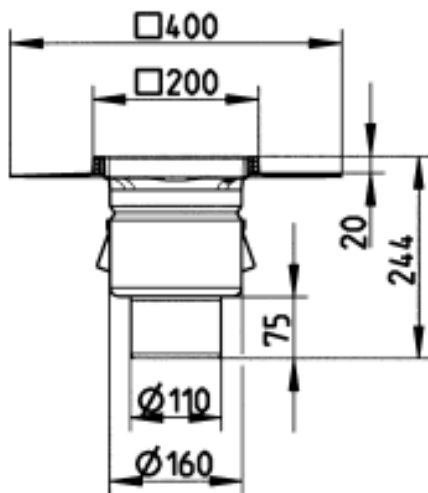


INDUSTRIAL DRAIN, LOW
 - Floor: concrete and tiled
 - Liquid membrane, frame: 200x200mm
 - Outlet: Ø110mm, vertical
 - Stainless steel: AISI304/EN1.4301

DATA

Type no.: 767.402.110
 EAN no.: 5705499110685
 VVS no.:
 RSK no.:
 NRF no.: 3396379
 LVI no.: 3303706

Floor: Concrete/tiled
 Shape: Square
 Membrane type: Liquid membrane
 Outlet direction: Vertical
 Size: 200x200
 Outlet dia. (mm): 110
 Min. height (mm): 245
 No. of holes for screws:0
 Weight (kg): 5,09
 Material: EN 1.4301
 Material: AISI 304
 Adjustable: No



Approvals

DK - VA 2.42/17378

DK - VA 2.42/19497

NO - 0461

Ru - 0882648 Product Certificate Drain & accessories POCC DK.MX03.H01387

