

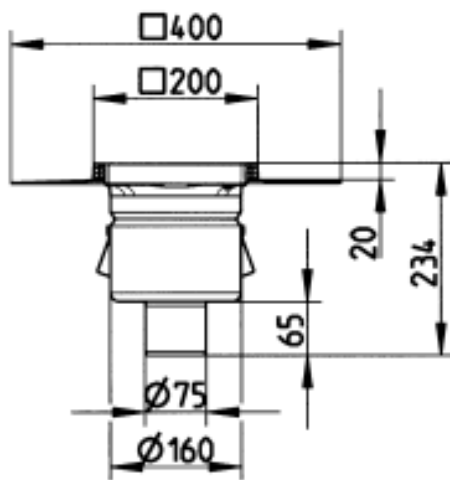


INDUSTRIAL DRAIN, LOW  
- Floor: concrete and tiled  
- Liquid membrane, frame: 200x200mm  
- Outlet: Ø75mm, vertical  
- Stainless steel: AISI304/EN1.4301

## DATA

Type no.: 767.402.075  
EAN no.: 5705499110647  
VVS no.:  
RSK no.:  
NRF no.: 3396378  
LVI no.: 3303701

Floor: Concrete/tiled  
Shape: Square  
Membrane type: Liquid membrane  
Outlet direction: Vertical  
Size: 200x200  
Outlet dia. (mm): 75  
Min. height (mm): 234  
No. of holes for screws:0  
Weight (kg): 5,05  
Material: EN 1.4301  
Material: AISI 304  
Adjustable: No



## Approvals

DK - VA 2.42/17378

DK - VA 2.42/19497

NO - 0461

Ru - 0882648 Product Certificate Drain & accessories POCC DK.MX03.H01387

