

Product sheet

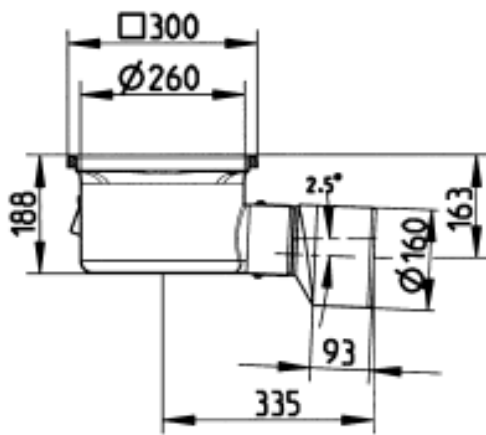


INDUSTRIAL DRAIN, LOW
 - Floor: concrete and tiled
 - Frame: 300x300mm
 - Outlet: Ø160mm, horizontal
 - Stainless steel: AISI304/EN1.4301

DATA

Type no.: 726.403.160
 EAN no.: 5705499108927
 VVS no.:
 RSK no.:
 NRF no.:
 LVI no.: 3303657

Floor: Concrete/tiled
 Shape: Square
 Membrane type: No membrane
 Outlet direction: Horizontal
 Size: 300x300
 Outlet dia. (mm): 160
 Min. height (mm): 188
 No. of holes for screws: 0
 Weight (kg): 5,54
 Material: EN 1.4301
 Material: AISI 304
 Adjustable: No



Approvals

Ru - 0882648 Product Certificate Drain & accessories POCC DK.MX03.H01387

