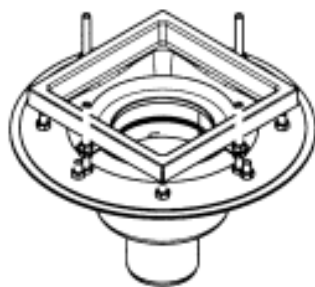
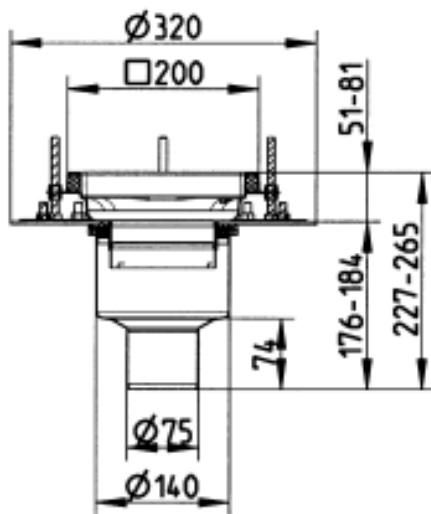


Product sheet

ADJUSTABLE INDUSTRIAL DRAIN
 - Floor: concrete and tiled
 - Sheet membrane, frame: 200x200mm
 - Outlet: Ø75mm, vertical
 - Stainless steel: AISI304/EN1.4301



DATA

Type no.: 712.402.075
 EAN no.: 5705499108606
 VVS no.:
 RSK no.:
 NRF no.:
 LVI no.: 3303917

Floor: Concrete/tiled
 Shape: Square
 Membrane type: Sheet membrane
 Outlet direction: Vertical
 Size: 200x200
 Outlet dia. (mm): 75
 Min. height (mm): 227
 No. of holes for screws: 0
 Weight (kg): 4,33
 Material: AISI 304
 Material: EN 1.4301
 Adjustable: Yes

Approvals

DK - VA 2.42/17378

DK - VA 2.42/19497

Ru - 0882648 Product Certificate Drain & accessories POCC DK.MX03.H01387