

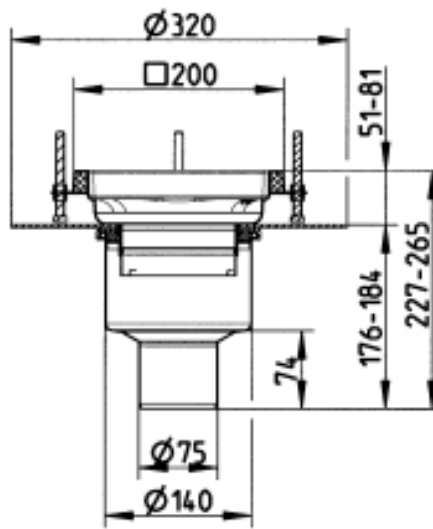
## Product sheet

ADJUSTABLE INDUSTRIAL DRAIN  
 - Floor: concrete and tiled  
 - Liquid membrane, frame: 200x200mm  
 - Outlet: Ø75mm, vertical  
 - Stainless steel: AISI304/EN1.4301



### DATA

Type no.:	711.402.075	Floor:	Concrete/tiled
EAN no.:	5705499108521	Shape:	Square
VVS no.:		Membrane type:	Liquid membrane
RSK no.:		Outlet direction:	Vertical
NRF no.:		Size:	200x200
LVI no.:	3303909	Outlet dia. (mm):	75
		Min. height (mm):	227
		No. of holes for screws:	0
		Weight (kg):	3,61
		Material:	AISI 304
		Material:	EN 1.4301
		Adjustable:	Yes



### Approvals

DK - VA 2.42/17378

DK - VA 2.42/19497

Ru - 0882648 Product Certificate Drain & accessories POCC DK.MX03.H01387

