

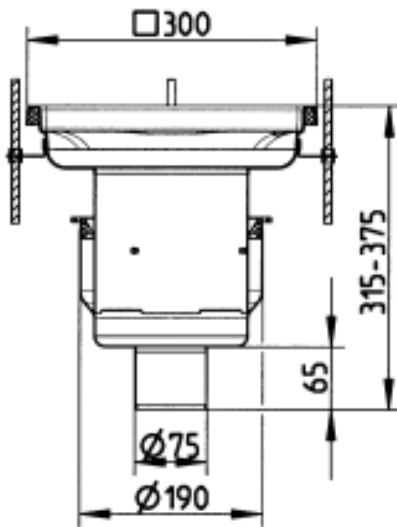
Product sheet



- ADJUSTABLE INDUSTRIAL DRAIN**
- Floor: concrete and tiled
- Frame: 300x300mm
- Outlet: Ø75mm, vertical
- Stainless steel: AISI304/EN1.4301

DATA

Type no.:	710.403.075	Floor:	Concrete/tiled
EAN no.:	5705499108248	Shape:	Square
VVS no.:		Membrane type:	No membrane
RSK no.:		Outlet direction:	Vertical
NRF no.:		Size:	300x300
LVI no.:	3303905	Outlet dia. (mm):	75
		Min. height (mm):	315
		No. of holes for screws:	0
		Weight (kg):	4,34
		Material:	EN 1.4301
		Material:	AISI 304
		Adjustable:	Yes



Approvals

DK - VA 2.42/17378

DK - VA 2.42/19497

Ru - 0882648 Product Certificate Drain & accessories POCC DK.MX03.H01387

