

Product sheet

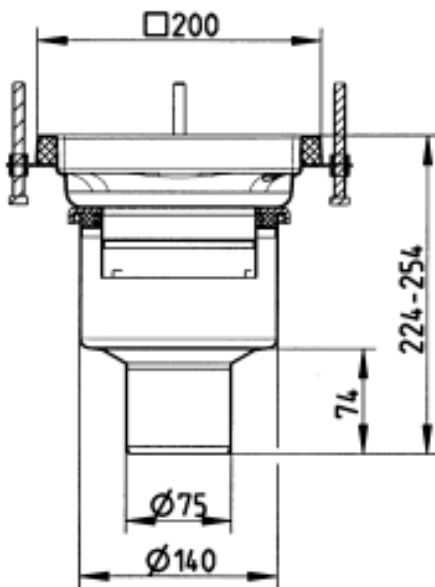


ADJUSTABLE INDUSTRIAL DRAIN
 - Floor: concrete and tiled
 - Frame: 200x200mm
 - Outlet: Ø75mm, vertical
 - Stainless steel: AISI304/EN1.4301

DATA

Type no.: 710.402.075
 EAN no.: 5705499108163
 VVS no.:
 RSK no.:
 NRF no.:
 LVI no.: 3303901

Floor: Concrete/tiled
 Shape: Square
 Membrane type: No membrane
 Outlet direction: Vertical
 Size: 200x200
 Outlet dia. (mm): 75
 Min. height (mm): 224
 No. of holes for screws: 0
 Weight (kg): 1,90
 Material: EN 1.4301
 Material: AISI 304
 Adjustable: Yes



Approvals

DK - VA 2.42/17378
 DK - VA 2.42/19497

Ru - 0882648 Product Certificate Drain & accessories POCC DK.MX03.H01387

