



**Load capacity:** Class A (15 kN test force) EN 124.

**Material:** Frame made of extruded aluminium sections. Cover made of extruded aluminium sections with composite aluminium honeycomb plate (white coated). Stainless steel screws 2 EPDM seals.

**Features:** Modern lightweight access cover. High weight reduction when compared with concrete filled access covers. Opening the light cover is just child's play. Since the concrete filling of the cover is omitted, the installation is much quicker and simpler. An unrestricted height of 14 mm is available for laying slabs, tiles or parquet flooring etc. Odour and waterproof access cover in high-quality finish. Pleasant visible edges. Unobtrusive corner joints ease the joining of tiles or slabs etc.

**The Lift-Off opening system:**

Each HAGODECK Type CLA-SL slim composite light Alu is delivered with a set of lift-out keys and precise installation instructions. **The HAGO advantage:** Jammed covers are lifted up by simply turning the golden lift-out key.

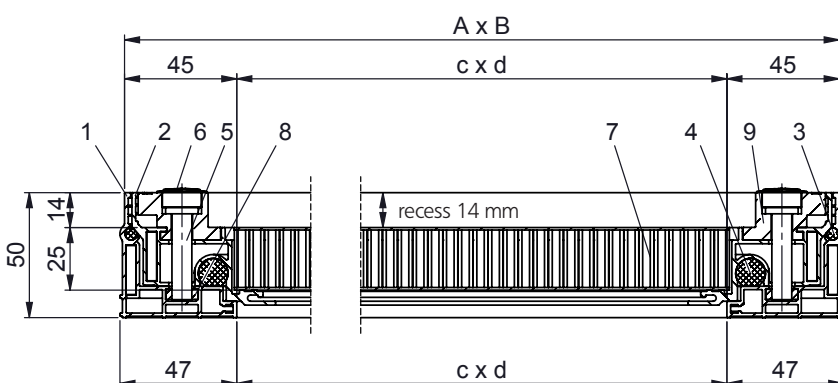
**Applications:** For indoor access shafts (only accessible), which can be opened without applying excessive force.

**Installation:** Installation must be carried out according to our instructions. With water-tight models, care must be taken to seal the outer frame into the surrounding flooring. Connect slabs or tiles (full area) with suitable tile adhesive (MAPEI Keralastic). For thin tiles or slabs use waterproof construction panels for height compensation.

**Specification clause:** Alu-Composite lightweight access cover with honeycomb core, Type HAGODECK CLA-SL slim, clear width x cm, 14 mm to take up floor lining, 50mm installation depth, odour and waterproof, with Golden Key Lift Off tool, 15 kN (EN 124).

Installation shall be according to the manufacturer's instructions. Manufacturer: HAGO A-4600 Wels [www.hago.at](http://www.hago.at)

Type CLA-SL slim composite light Alu



Type	Clear dimensions of shaft (≈ cm) c x d	Outside dimensions (≈ cm) A x B	Weight empty approx.	S/O*
CLA-SL slim 22	20 x 20	29 x 29	2 kg	S
CLA-SL slim 33	30 x 30	39 x 39	3 kg	S
CLA-SL slim 44	40 x 40	49 x 49	5 kg	S
CLA-SL slim 55	50 x 50	59 x 59	6 kg	S
CLA-SL slim 64	60 x 40	69 x 49	6 kg	S
CLA-SL slim 66	60 x 60	69 x 69	8 kg	S
CLA-SL slim 86	80 x 60	89 x 69	10 kg	S
CLA-SL slim 88	80 x 80	89 x 89	12 kg	S
CLA-SL slim 106	100 x 60	109 x 69	12 kg	S
CLA-SL slim 108	100 x 80	109 x 89	13 kg	O
CLA-SL slim 110	100 x 100	109 x 109	16 kg	S

Installation depth 50 mm / free height 14 mm

Special sizes possible

\*S = article available from stock

\*O = article is manufactured on request

- 1 Frame
- 2 Cover
- 3 Top seal
- 4 Bottom seal
- 5 Allen screw (stainless steel)
- 6 Plastic cap
- 7 Aluminium honeycomb plate (white coated)
- 8 Nut (stainless steel)
- 9 Casting (aluminium)